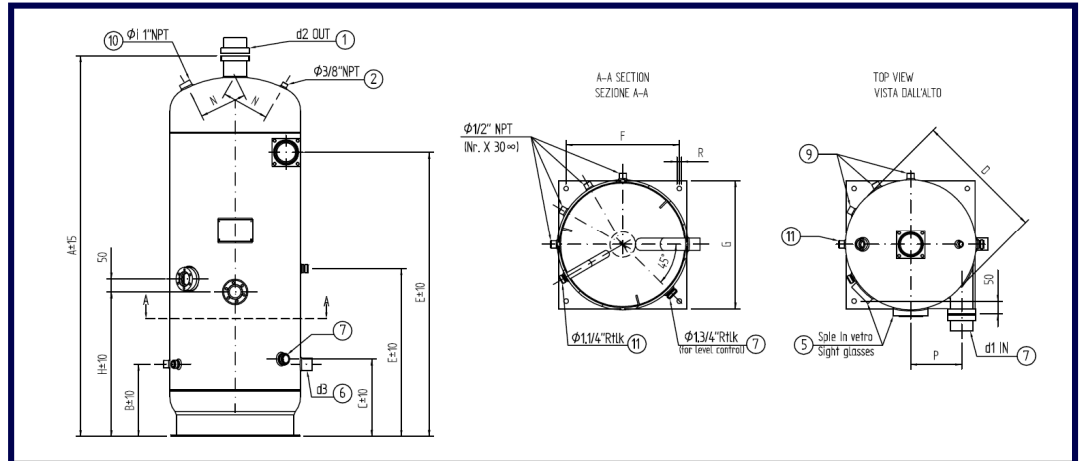


1 STAGE VERTICAL OIL SEPARATORS



- CYCLONIC OIL SEPARATION
- OIL RESERVE



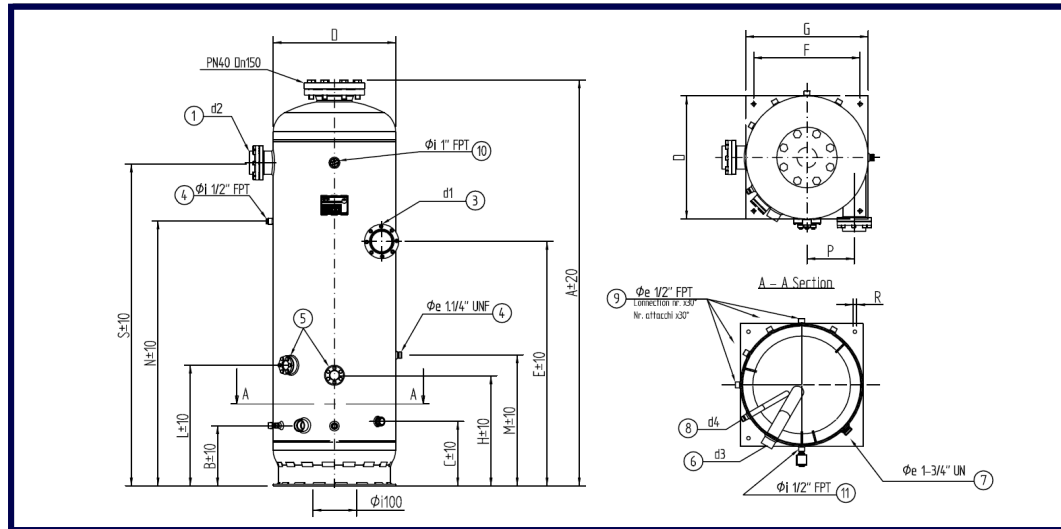
MODEL		RS 180	RS 400	RS900	RS 1300	RS 2300	
COMPRESSOR SUCTION VOLUME	Air conditioning	m3/h	220	490	940	1320	1650
	Cooling and Low temp.	m3/h	300	660	1320	1600	2250
NOMINAL DATA	Max compressors number	N	2	3	6	6	6
	Oil Volume	dm3	19	50	90	130	230
	Total Volume	dm3	40	120	220	330	560
DIMENSIONS	A	mm	830	1170	1440	1485	1780
	B	mm	200	220	280	300	395
	C	mm	240	260	300	320	375
	D	mm	324	406	508	610	711
	E	mm	550	865	1105	1100	1335
	F	mm	280	320	440	530	530
	G	mm	330	380	500	610	610
	H	mm	330	460	560	550	725
	M	mm	420	510	650	650	775
	N	mm	90	100	100	135	150
	P	mm	120	145	198	235	265
CONNECTIONS	d1	mm	ODS 54	OD 76	OD 89	OD 114	OD 141
	d2	mm	ODS 54	OD 76	OD 89	OD 114	OD 141
	d3	mm	1"1/4 Rtlk	1"3/4 Rtlk	ODS 42	ODS 54	ODS 76
	Joint / attacchi - Øi 1/2" NPT (9-11)"	N	2	3	4	5	5
CATEGORY PED			III	IV	IV	IV	IV
WEIGHT		kg	60	130	195	230	273
CONNECTIONS	Refrigerant outlet	1	Oil control level connection				7
	Service valve connection	2	Oil outlet - Uscita olio				8
	Refrigerant inlet	3	Oil heaters connection				9
	Oil charge valve connection	4	Safety valve connection				10
	Oil level sight glasses	5	Thermostat sensor connection				11
	Parallel compressors oil outlet	6					

PED category according to EU directive 97/23-CE / The category refers to the use of group 2 fluids at the PS value of standard temperature version
 Working limits - Limiti di lavoro (CE standard)
 Design temperature - Temperatura di progetto: **-10/+120°C** / Design pressure - Pressione di progetto: **32 bar** / Fluids - Fluidi: **HFC, HCFC, NH3**

2 STAGE VERTICAL OIL SEPARATORS



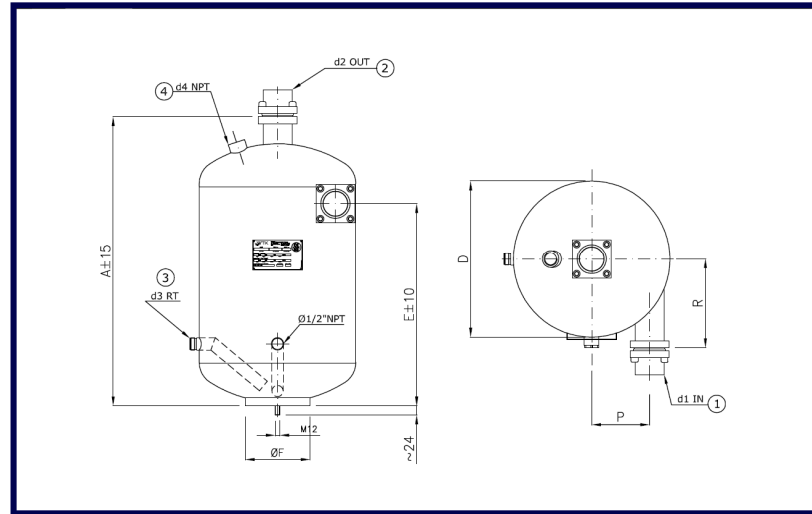
- **CYCLONIC OIL SEPARATION**
- **FILTERS OIL SEPARATION**
- **OIL RESERVE**



MODEL		RS 184	RS 404	RS904	RS 1304	RS 2304	
COMPRESSOR SUCTION VOLUME	Air conditioning	m3/h	120	220	400	960	1650
	Cooling	m3/h	150	300	550	1200	1650
	Cooling and Low temp.	m3/h	250	500	950	1350	2250
NOMINAL DATA	Max compressors number	N	2	3	6	6	6
	Oil Volume	dm3	21	50	90	130	220
	Total Volume	dm3	90	170	310	470	620
DIMENSIONS	A	mm	1335	1635	1905	2005	2250
	B	mm	200	220	260	300	385
	C	mm	240	260	300	320	385
	D	mm	324	406	508	610	711
	E	mm	680	820	1060	1220	1365
	F	mm	280	320	440	530	530
	G	mm	330	380	400	610	610
	H	mm	350	460	520	550	695
	M	mm	440	550	610	650	815
	N	mm	725	895	1135	1320	1465
CONNECTIONS	d1	mm	ODS 54	OD 76	OD 89	OD 114	OD 141
	d2	mm	ODS 54	OD 76	OD 89	OD 114	OD 141
	d3	mm	1"1/4 Rtlk	1"3/4 Rtlk	ODS 42	ODS 54	ODS 76
	Joint / attacchi - Øi 1/2" NPT (9-11)"	N	2	3	4	5	5
CATEGORY PED			III	IV	IV	IV	IV
WEIGHT		kg	60	130	195	230	273
CONNECTIONS	Refrigerant outlet	1	Oil control level connection				7
	Service valve connection	2	Oil outlet - Uscita olio				8
	Refrigerant inlet	3	Oil heaters connection				9
	Oil charge valve connection	4	Safety valve connection				10
	Oil level sight glasses	5	Thermostat sensor connection				11
	Parallel compressors oil outlet	6					
PED category according to EU directive 97/23-CE / The category refers to the use of group 2 fluids at the PS value of standard temperature version Working limits - Limiti di lavoro (CE standard) Design temperature - Temperatura di progetto: -10/+120°C / Design pressure - Pressione di progetto: 32 bar / Fluids - Fluidi: HFC, HCFC, NH3							



- **CYCLONIC OIL SEPARATION**
- **NO OIL RESERVE**



MODEL		RS 182	RS 402	RS902	
COMPRESSOR SUCTION VOLUME	Air conditioning	m3/h	220	490	940
	Cooling and Low temp.	m3/h	300	660	1320
NOMINAL DATA	Designe Temperature		-10/+90°C	-10/+120°C	-10/+120°C
	Oil Volume	dm3	3	7	10
	Total Volume	dm3	30	75	140
DIMENSIONS	A	mm	545	750	900
	B	mm	100	160	180
	D	mm	300	400	500
	E	mm	385	525	640
	F	mm	114	168	219
	P	mm	115	155	198
	R	mm	190	230	277
CONNECTIONS	d1	mm	ODS 54	OD 76	OD 89
	d2	mm	ODS 54	OD 76	OD 89
	d3	mm	1"Rtlk	1"Rtlk	1"Rtlk
	d4	mm	1/2"NTP	1"NTP	1"NTP
CATEGORY PED			II	III	IV
WEIGHT		kg	29	55	66
CONNECTIONS	Refrigerant inlet			1	
	Refrigerant outlet			2	
	Oil outlet			3	
	Safety valve connection			4	
PED category according to EU directive 97/23-CE / The category refers to the use of group 2 fluids at the PS value of standard temperature version Working limits - Limiti di lavoro (CE standard) Design pressure - Pressione di progetto: 30 bar / Fluids - Fluidi: HFC, HCFC, NH3					